

Mandrel bends kits type 1

Mild steel pipe exhaust mandrel bends DIY kits

16 pcs per set



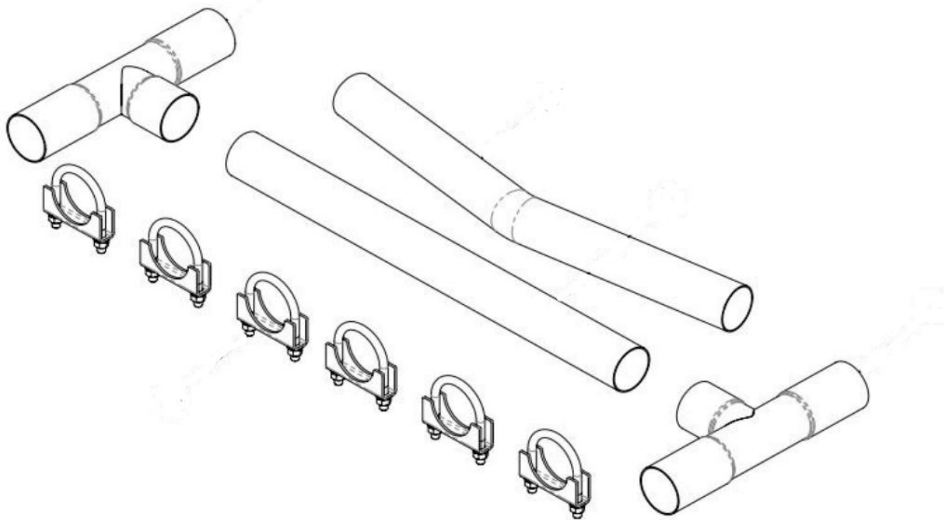
Part Number	Diameter	Wall thickness	Quantity/set	Bend angle	Leg length	Remark
1220.01134	1-3/4" (45mm)	0.059" 1.50mm	4 pcs	Straight	48" long	With one end flared Each unit packed in rust proof poly bag Then into carton box
			4 pcs	45°	6"	
			4 pcs	90°	6"	
			4 pcs	180°	6"	
1220.01178	1-7/8" (48mm)	0.059" 1.50mm	4 pcs	Straight	48" long	With one end flared Each unit packed in rust proof poly bag Then into carton box
			4 pcs	45°	6"	
			4 pcs	90°	6"	
			4 pcs	180°	6"	
1220.01200	2" (50.8mm)	0.059" 1.50mm	4 pcs	Straight	48" long	With one end flared Each unit packed in rust proof poly bag Then into carton box
			4 pcs	45°	6"	
			4 pcs	90°	6"	
			4 pcs	180°	6"	
1220.01214	2-1/4" (57mm)	0.059" 1.50mm	4 pcs	Straight	48" long	With one end flared Each unit packed in rust proof poly bag Then into carton box
			4 pcs	45°	6"	
			4 pcs	90°	6"	
			4 pcs	180°	6"	
1220.01212	2-1/2" (63.5mm)	0.059" 1.50mm	4 pcs	Straight	48" long	With one end flared Each unit packed in rust proof poly bag Then into carton box
			4 pcs	45°	6"	
			4 pcs	90°	6"	
			4 pcs	180°	6"	
1220.01234	2-3/4" (70mm)	0.059" 1.50mm	4 pcs	Straight	48" long	With one end flared Each unit packed in rust proof poly bag Then into carton box
			4 pcs	45°	6"	
			4 pcs	90°	6"	
			4 pcs	180°	6"	
1220.01300	3" (76.2mm)	0.059" 1.50mm	4 pcs	Straight	48" long	With one end flared Each unit packed in rust proof poly bag Then into carton box
			4 pcs	45°	6"	
			4 pcs	90°	6"	
			4 pcs	180°	6"	

Other customized specifications available

Universal Dual Exhaust H-Pipe Balance Tube Kit

Mild steel pipe exhaust mandrel bends DIY kits

Part Number	Name & Description	Quantity / set
1210.02214	Straight tube, Ø57x1.5mm, 610mm long	1 unit
	16 degree bends, Ø57x1.5mm, 305mm leg	1 unit
	T pipe, Ø57x1.5mm, 298.5mm long	2 units
	U clamps, 2 1/4" EXHAUST CLAMP	6 unti
1210.02212	Straight tube, Ø63.5x1.5mm, 610mm long	1 unit
	16 degree bends, Ø63.5x1.5mm, 305mm leg	1 unit
	T pipe, Ø63.5x1.5mm, 298.5mm long	2 units
	U clamps, 2 1/2" EXHAUST CLAMP	6 unti



Note:

Each unit be packed in rust proof poly bag

Then pack into carton box

Other customized specifications available

Universal Dual Exhaust Mandrel X-Pipe Balance Tube Kit

Mild steel pipe exhaust mandrel bends DIY kits

Part Number	Name & Description	Quantity / set
1210.03214	45 degree bends, Ø57x1.5mm	4 unit
	X pipe, Ø57x1.5mm	1 units
	U clamps, 2 1/4" EXHAUST CLAMP	8 untis
1210.03212	45 degree bends, Ø63.5x1.5mm	4 unit
	X pipe, Ø63.5x1.5mm	1 units
	U clamps, 2 1/2" EXHAUST CLAMP	8 untis



Note:

Each unit be packed in rust proof poly bag

Then pack into carton box

Other customized specifications available